

## APPLICATION

- ▶ For residential and commercial folding doors where weatherproofing of the opening is required.
- ▶ Weatherfold Coastal has been specifically designed for the Australian market and is third party tested by a NATA approved laboratory to meet the requirements of the new Australian Window standard AS 2047-1999.
- ▶ This section covers Weatherfold Coastal Elite 45 and 75 hardware suitable for surface mounted applications.
- ▶ When extra corrosion resistance is required Weatherfold Coastal Elite is available with stainless steel bearings.

## DOOR SPECIFICATION

Track System:	Weatherfold Coastal Elite 45	Weatherfold Coastal Elite 75
For Individual Leaves:		
Max Leaf Height	3000mm	3300mm
Max Leaf Weight	45kg	75kg
Max Leaf Width	900mm	900mm
Leaf Thickness	35-50mm	35-50mm

Folding units of up to eight leaves can be hinged to post.

Floating units consisting of four, six and eight leaves.

Instruction on leaf width calculation and clearances is shown overleaf.

## HARDWARE SPECIFICATION – TIMBER PANELS

Track:	180	250
Material	Aluminium in Mill or Clear Anodised	
Standard lengths	2000mm, 3000mm, 4000mm and 6000mm	

### Hanger Sets:

Intermediate sets:	Includes hanger, guide and hinge	
Four wheel	HEN4-45H(*)	HEN4-75H(*)
Four wheel SS bearing	HEN4-45SSH(*)	HEN4-75SSH(*)
End Sets:	Includes hanger and guide	
Two wheel	HEN2-45M(*)	HEN2-75M(*)
Two wheel SS bearing	HEN2-45SSM(*)	HEN2-75SSM(*)

### Pivot Set:

Top & Bottom Pivots		
	HEN1-45H(*)	HEN1-75H(*)

### Hinge Sets:

Intermediate	HEN3-H(*)	HEN3-H(*)
Intermediate (offset)	HEN7-H(*)	HEN7-H(*)
Intermediate - inward opening	HEN5-H(*)	HEN5-H(*)
Jamb (offset)	HEN6-H(*)	HEN6-H(*)
Meeting Door Sets	2 hangers and 2 guides	
2 x Two wheel	HEN8-45(*)	HEN8-75(*)
2 X Two wheel SS bearing	HEN8-45SS(*)	HEN8-75SS(*)

### Channels:

Polypropylene	94P	94P
Aluminium	94A	94A
Brass	94B	94B
Standard lengths	2000mm, 3000mm, 4000mm and 6000mm	

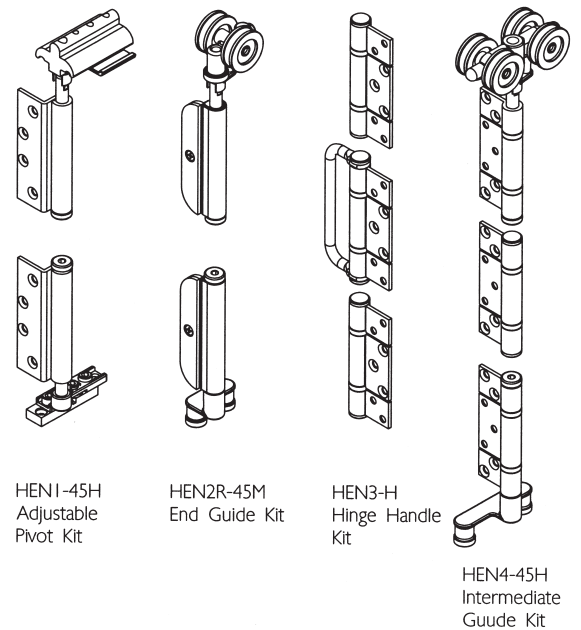
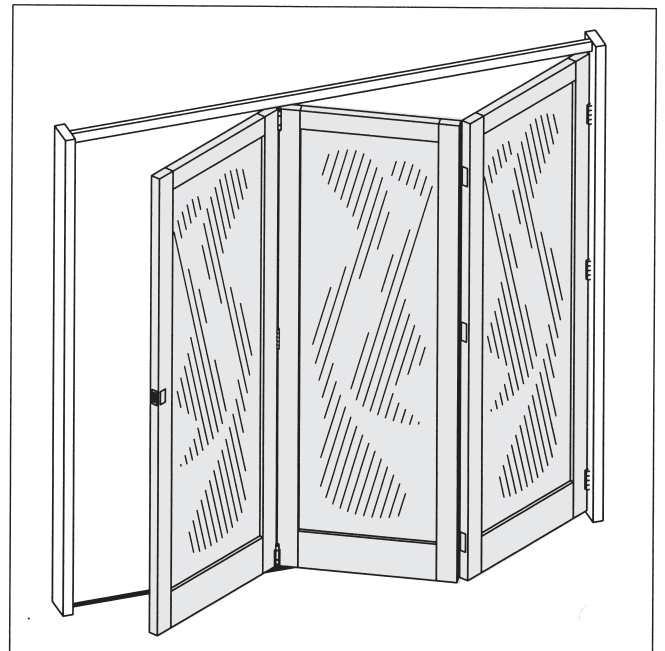
### Accessories:

Flush Pull	401(*)	401(*)
Flush Bolt – Brass	456(*)	456(*)
Flush Bolt – Brass 450mm long	456L(*)	456L(*)
Frame Perimeter Seal – white	AQ21W	AQ21W
Frame Perimeter Seal – brown	AQ21B	AQ21B
Door Perimeter Seal – white	AQ48W	AQ48W
Door Perimeter Seal – brown	AQ48B	AQ48B
Track Seal	PS13B	PS13B

(\*) select finish

Hardware: (SS) Satin Stainless, (TG) Titanium Gold (PS) Polished Stainless,

Flushbolts: (SN) Satin Nickel, (PN) Polished Nickel, (TG) Titanium Gold.

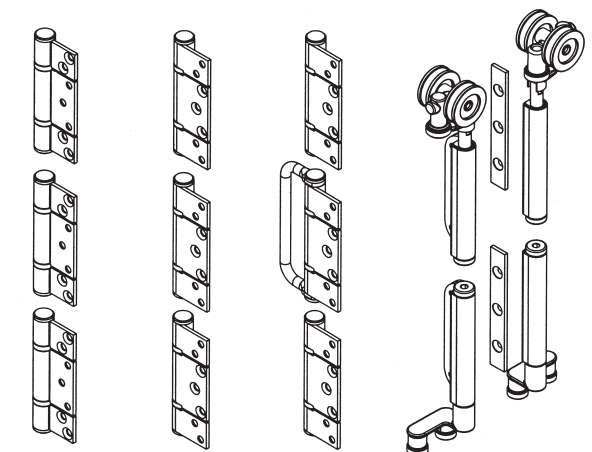


HEN1-45H  
Adjustable  
Pivot Kit

HEN2R-45M  
End Guide Kit

HEN3-H  
Hinge Handle  
Kit

HEN4-45H  
Intermediate  
Guide Kit



HEN5-H  
Hinge Kit

HEN6-H  
Jamb (Offset)  
Hinge Kit

HEN7-H  
Hinge Handle  
(Offset) Kit

HEN8-45M  
Meeting Door  
Kit

# Weatherfold Coastal Elite 45 & 75

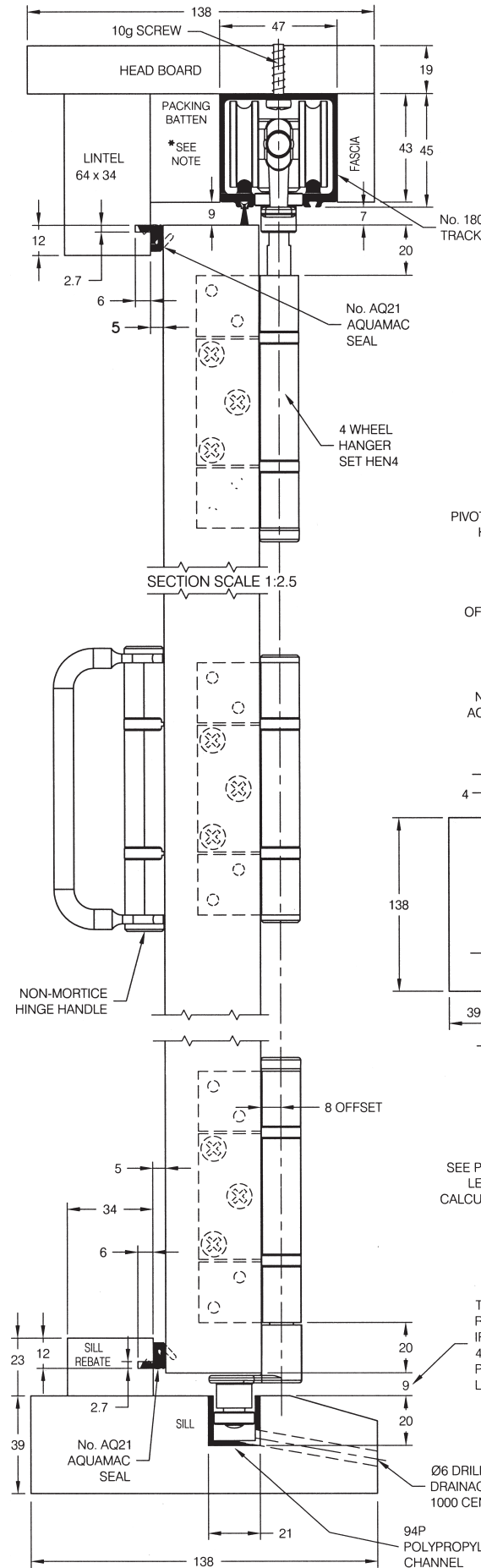
**HENDERSON**<sup>®</sup>

FOR TOP HUNG EXTERIOR FOLDING TIMBER DOORS, MAX. 75kg EACH LEAF

SLIDING & FOLDING DOOR HARDWARE

AUSTRALIA'S WIDEST RANGE

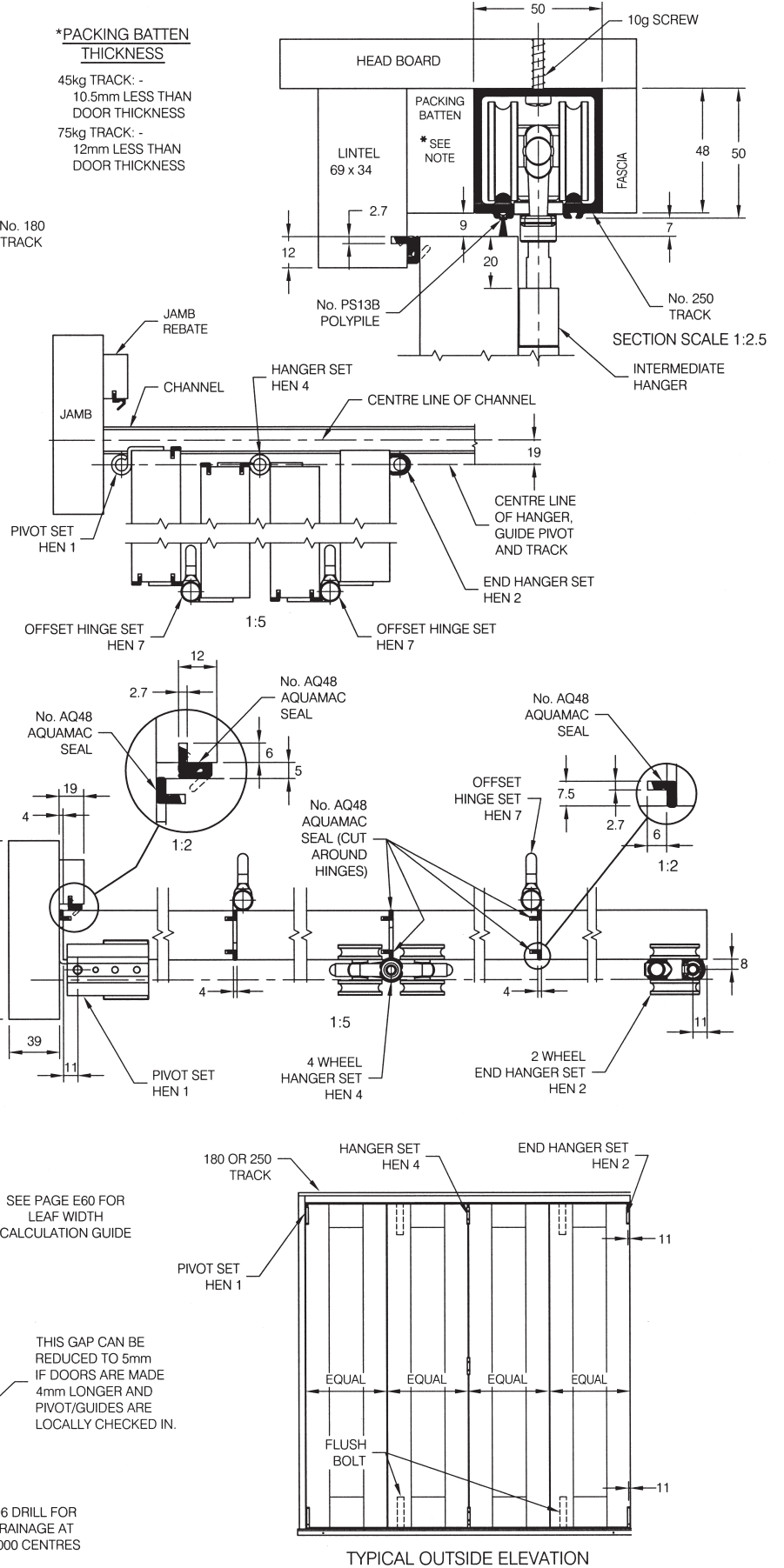
## HENDERSON WEATHERFOLD COASTAL *Elite* 45 (FOR TIMBER DOORS)



\*PACKING BATTEN THICKNESS

45kg TRACK: - 10.5mm LESS THAN DOOR THICKNESS  
75kg TRACK: - 12mm LESS THAN DOOR THICKNESS

## HENDERSON WEATHERFOLD COASTAL *Elite* 75 (FOR TIMBER DOORS)



SEE PAGE E60 FOR LEAF WIDTH CALCULATION GUIDE

THIS GAP CAN BE REDUCED TO 5mm IF DOORS ARE MADE 4mm LONGER AND PIVOT/GUIDES ARE LOCALLY CHECKED IN.