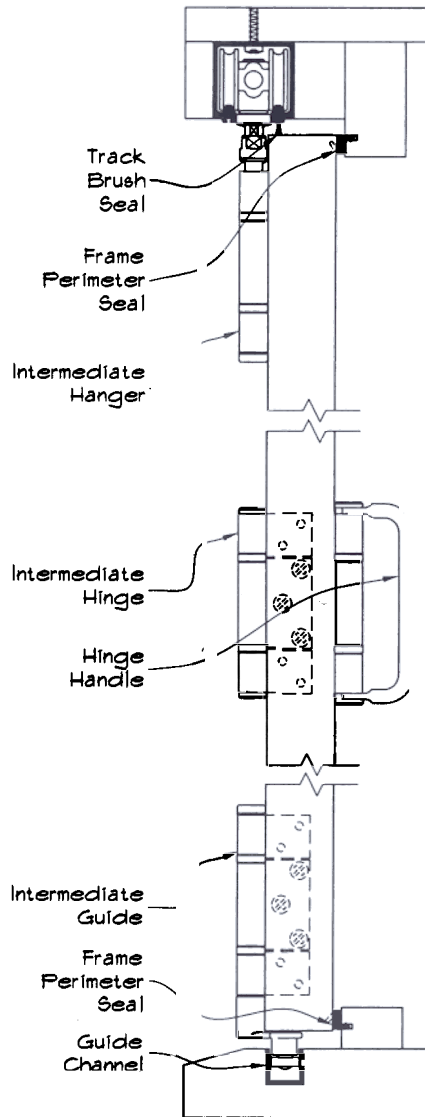
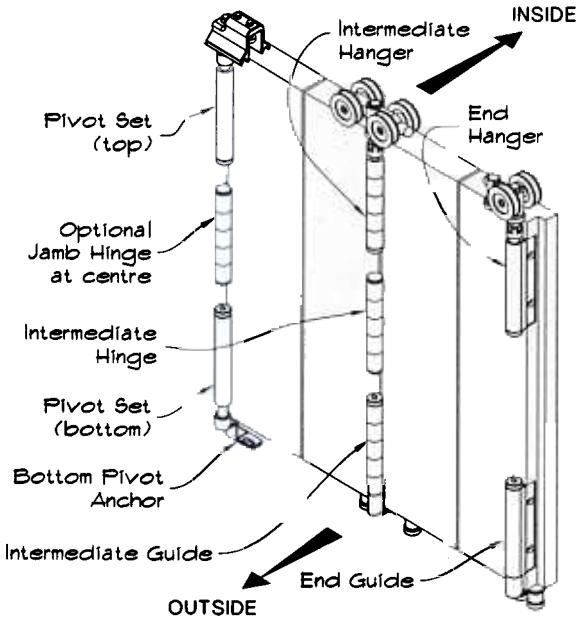
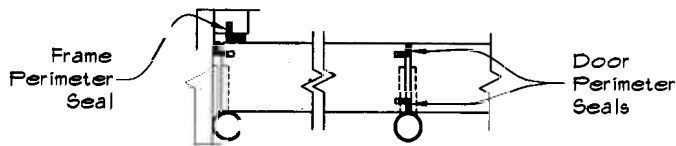


Weatherfold Coastal Specifications

	Weatherfold Coastal 45	Weatherfold Coastal 75	Weatherfold Coastal T45	Weatherfold Coastal T75
Maximum leaf height	3000mm	3300mm	3000mm	3300mm
Maximum leaf weight	45 kg	75kg	45kg	75kg
Maximum leaf width	900mm	900mm	900mm	900mm
Leaf thickness	35-50mm	35-50mm	35-50mm	35-50mm

Door Configuration

2 leaf	
3 leaf	
4 leaf	
5 leaf	
6 leaf	
7 leaf	
8 leaf	



To comply with the requirements of Australian Standard AS2047, Henderson RMD commissioned a complete timber folding door system fitted with **Henderson Weatherfold** hardware and had it tested by a third party NATA approved laboratory.

The test results were as follows:

Water Penetration: 450 Pascal – Equivalent to driving rain at 98 km/hr

Air Infiltration – Positive: 0.04 litre/sec m² – Suitable for air-conditioned applications

Air Infiltration – Negative: 0.08 litre/sec m² – Suitable for air-conditioned applications

Ultimate Strength – Positive: 2500 Pascal – Pressure developed by class C2 cyclone winds at 232 km/hr

Ultimate Strength – Negative: 2500 Pascal – Pressure developed by class C2 cyclone winds at 232 km/hr

Although the Henderson Weatherfold Door System is manufactured and certified using Western Red Cedar, it is possible to substitute the timber for hardwood without invalidating the Test Certificate. Claiming approval to AS2047 by Window and Door manufacturers is permissible without further testing on the condition that the Henderson Weatherfold Folding Door System Specification is adhered to. Details can be supplied on request. The high rating achieved, makes the Henderson Weatherfold Folding Door System suitable for all inland Australian and most coastal regions.

AS2047 RATING

1500
Structural
Water Penetration 450 Pa N4, C2

HENDERSON®

Distributor:
KL Hardwarestore
Ph: 1300 720 203
Web: www.hardwarestore.com.au
E: inf

Stockist

hardwarestore.com.au
 PO Box 871, Caringbah NSW 2229
1300 72 02 03